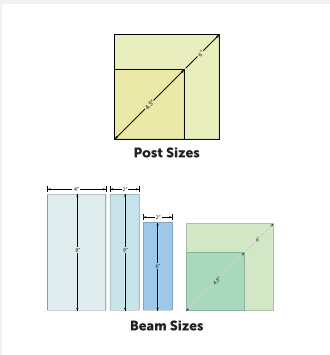
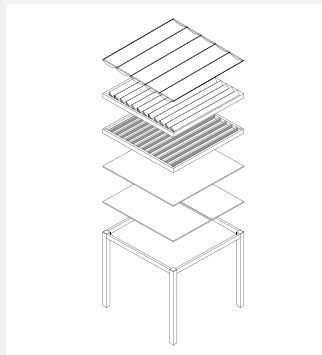


PERGOLA BY DESIGN



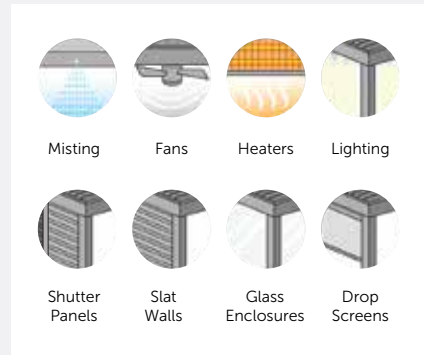
Custom Post/Beam Design

- Custom beam sizing options.
- Custom post sizing options.
- Choose from our selection of frame colors.



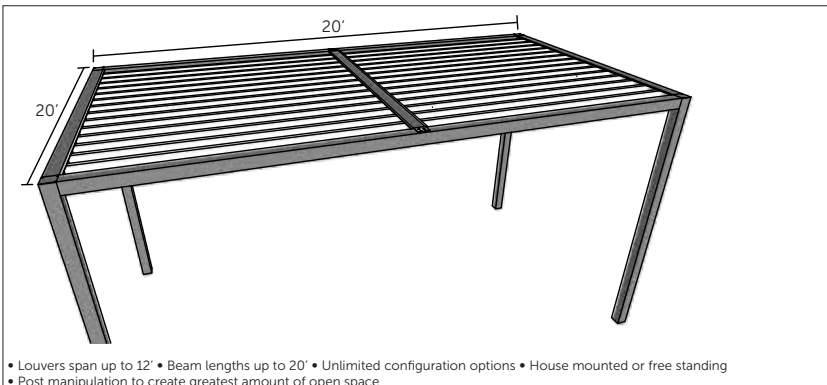
Pergola Shade Options

- Custom design your roof from our selection of styles.
- Over 30+ fabric options (if applicable)



Accessories

- Create the perfect outdoor living space.
- Extend your outdoor living season and adopt resort-style living.

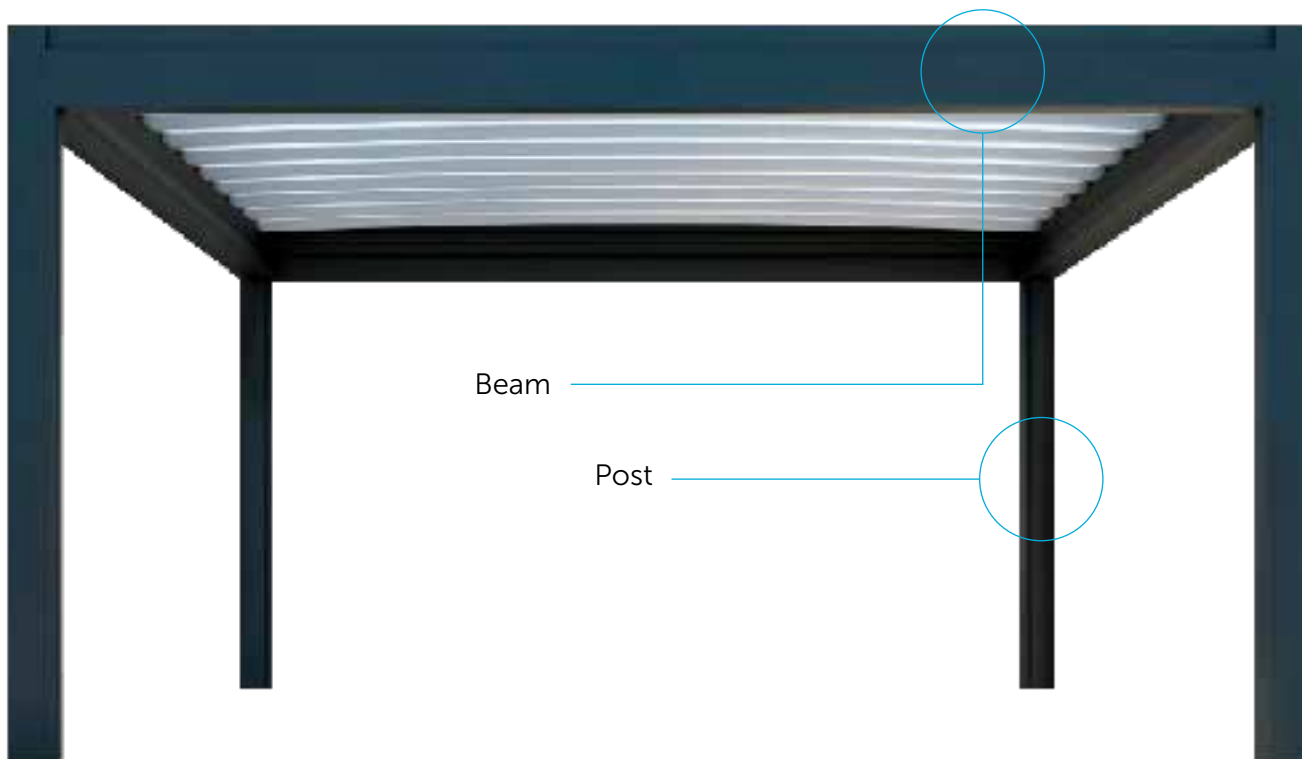


- Louvers span up to 12' • Beam lengths up to 20' • Unlimited configuration options • House mounted or free standing
- Post manipulation to create greatest amount of open space

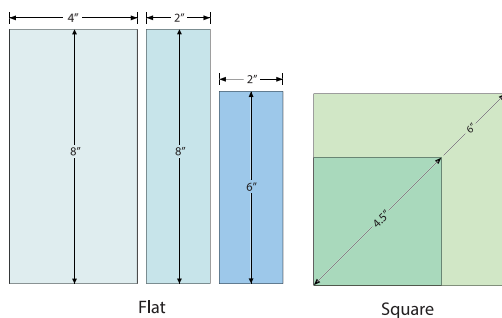
12 Standard Colors



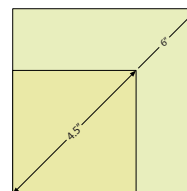
CUSTOM POST/BEAM DESIGN



Beam Sizes

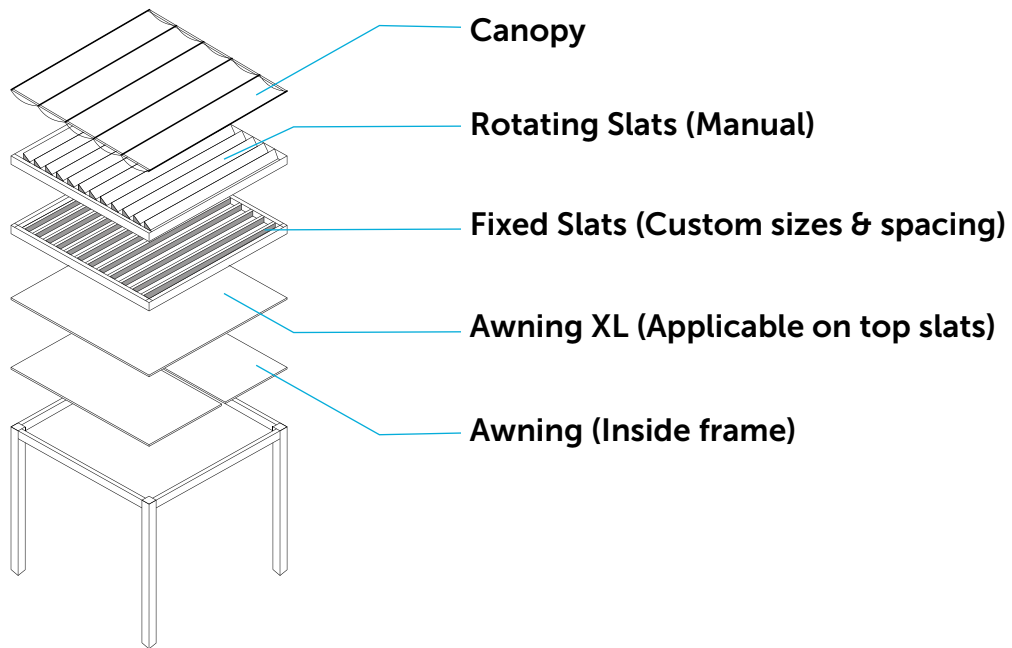


Post Sizes



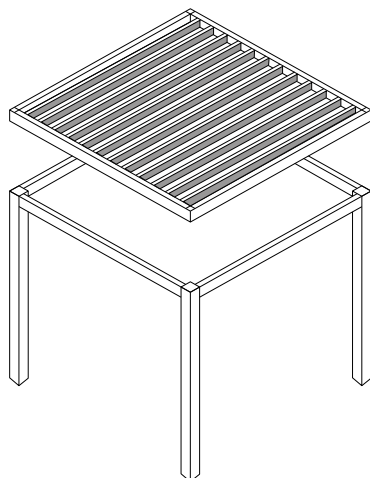
Design your own unique pergola with our custom "Pergola By Design" package. Tailor it to your preferences by selecting various post widths and beam sizes. Enjoy the flexibility to create the perfect pergola for your space. Please note that the maximum length for the beams is 20 feet*.

PERGOLA SHADE OPTIONS



Customize your pergola roof with a variety of options for your outdoor patio living needs. (see the next pages)

SHADE OPTIONS: SLATS

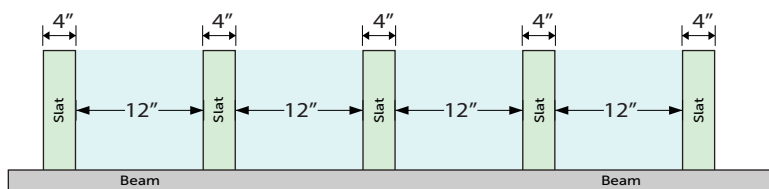


Slat panel sizes:

- 2" slat
- 3" slat
- 4" slat
- 5" slat
- 6" slat
- 8" slat

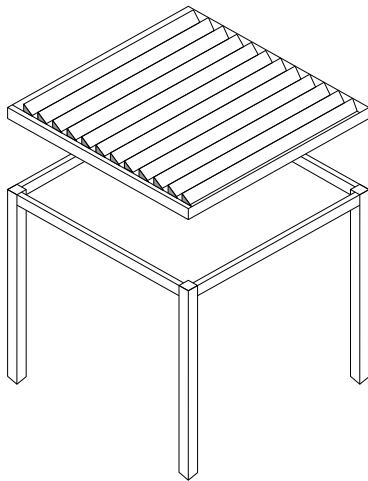
Gap area allowance:

- 2" gap
- 4" gap
- 6" gap
- 8" gap
- 10" gap
- 12" gap



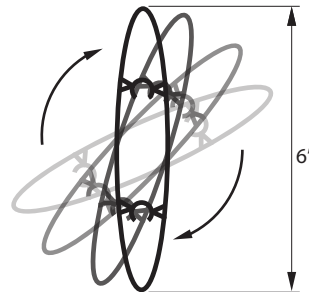
Opt for slats as a durable choice for your pergola roof. Tailor the slat width and spacing to your liking. Create a personalized and functional pergola roof that suits your needs.

SHADE OPTIONS: ROTATING MANUAL SLATS



Rotating Manual Slats Key Features:

- Rotate the slats for ventilation
- Balance the light and shade

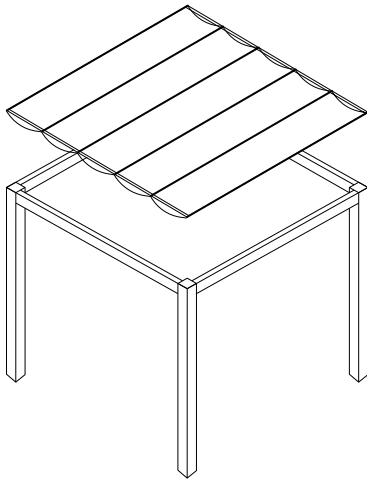


The 6-inch rotating slat effortlessly moves to create sunshade at the necessary angle, offering both ventilation and the perfect balance of light and shade as the sun travels across the sky.

SHADE OPTIONS: CANOPY SLIDE ON RAIL

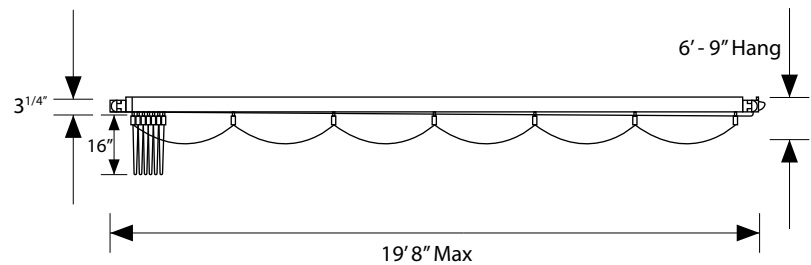


Tight Stack Design



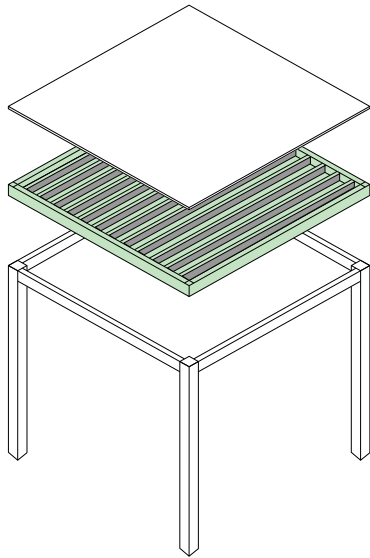
Canopy Key Features:

- Tight Stack (when retracted)
- Capability of electrical motion and remote control.



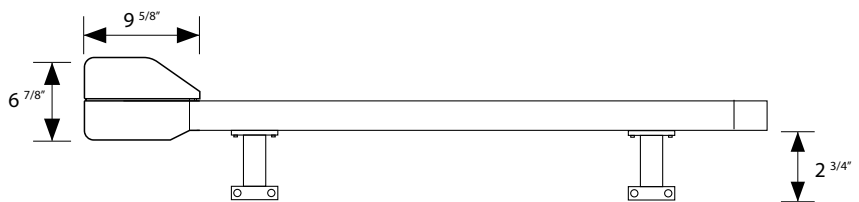
The "slide on rail" carrier is a wheeled system designed to smoothly transition the canopy from its fully expanded state to a fully retracted position. When the canopy is retracted, a compact stack design is employed to prevent any adverse weather conditions from entering.

SHADE OPTIONS: PERGOLA AWNING ON TOP



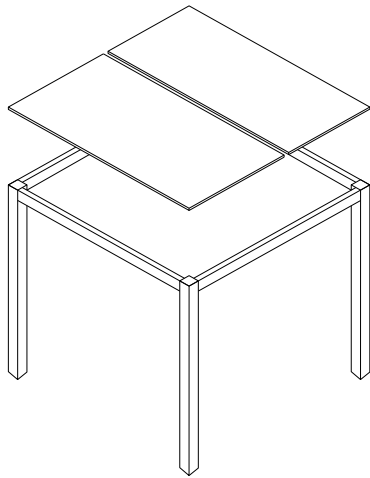
Awning Key Features:

- Standard mount for sun protection.
- Pitch mount option for added rain protection.
- Applicable with slats under canopy.



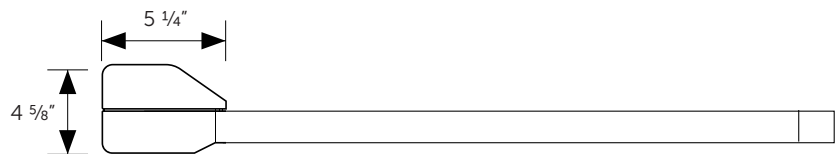
The sun protection solution features a standard mount, ensuring reliable and efficient shielding against harsh sunlight. Additionally, the pitch mount option provides an enhanced level of rain protection, further enhancing the functionality and versatility of the system. With these professional-grade mounting options, you can confidently enjoy optimal sun and rain protection for your desired outdoor space.

ROOFING OPTIONS: PERGOLA AWNING INSET



Awning Key Features:

- Standard mount for sun protection.
- Pitch mount option for added rain protection.
- Mounted inside frame.



The sun protection solution features a standard mount, ensuring reliable and efficient shielding against harsh sunlight. Additionally, the pitch mount option provides an enhanced level of rain protection, further enhancing the functionality and versatility of the system. With these professional-grade mounting options, you can confidently enjoy optimal sun and rain protection for your desired outdoor space.

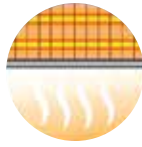
ACCESSORIES



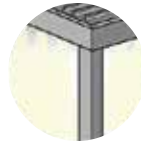
Misting



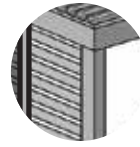
Fans



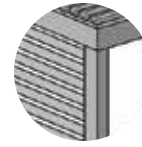
Heaters



Lighting



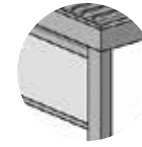
Shutter
Panels



Slat
Walls



Glass
Enclosures



Drop
Screens

Optional accessory add-ons:

- Create the perfect outdoor living space.
- Extend your outdoor living season and adopt resort-style living.

Misting System

Experience ultimate relaxation with our misting systems. Keep cool on hot days and enjoy the comfort of your pergola under a refreshing mist.

Fan System

Our team will handle the internal wiring and provide a secure mounting beam for your fan. Fan installation not included.

Heaters

Shortwave IR is an ideal solution for patio heaters, as it provides the heat required without being affected by breezes.

Lighting

Our pergolas come with an accessory option for lighting, allowing you to enjoy your outdoor space for longer. Choose between our LED strip or esme spot lighting to illuminate your pergola.

Shutter Panels

Aluminum shutters offer security, regulating light, airflow, and temperature control for outdoor living spaces.

Slat Walls

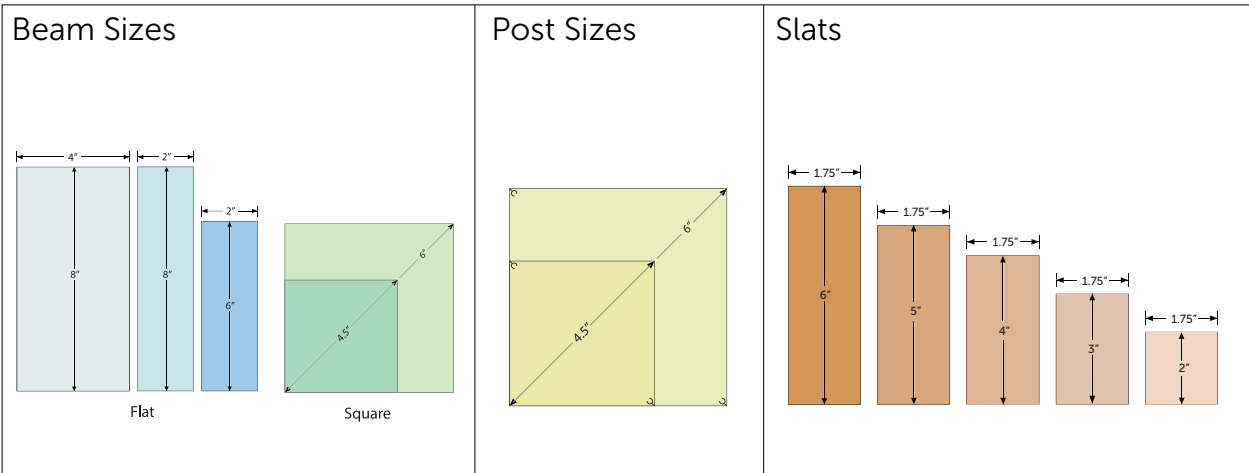
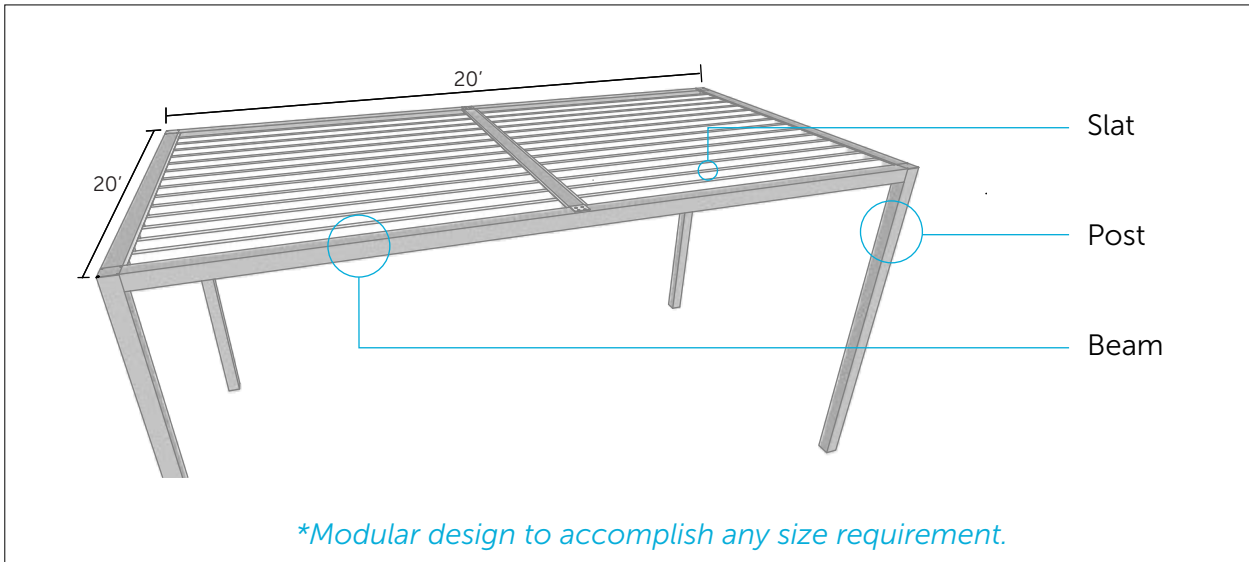
Crafted from high-quality aluminum, EuroShade slats offer a lasting solution for privacy screening.

Drop Screens

Crafted from high-quality aluminum, EuroShade slats offer a lasting solution for privacy screening.

SPECIFICATIONS

Frame

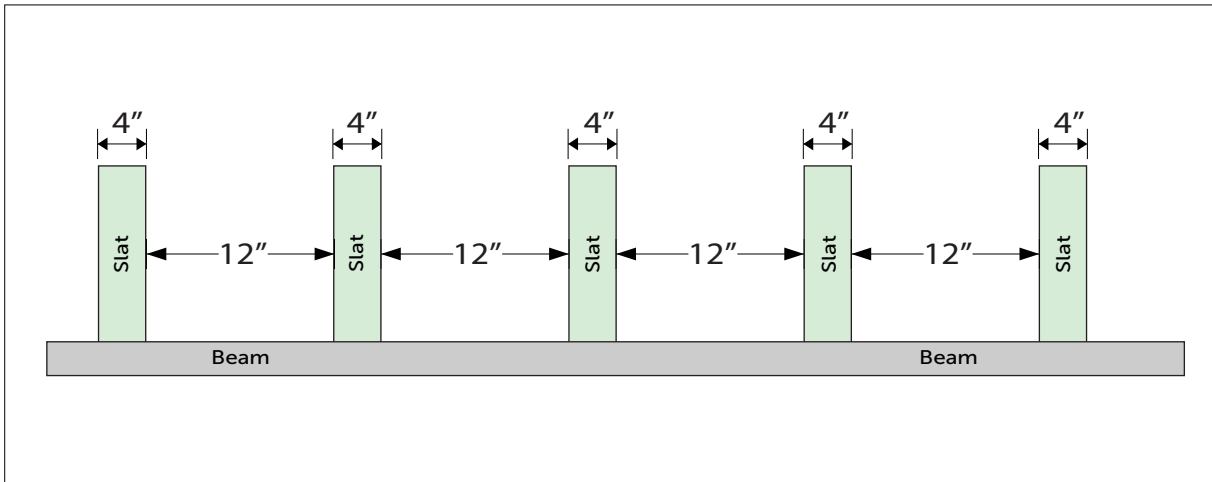


Width

Projection	BEAM	10'	11'	12'	13'	14'	15'	16'	17'	18'	19'	20'	21'	22'	23'
	4.5" x 4.5"														
	2" x 6"														
	6" x 6"														
	2" x 8"														
	2' x 10"														

SPECIFICATIONS

Fixed Slats



Slat Length

Slat Width	Inches	10'	12'	14'	16'	18'	20'
	2"						
3"							
4"							
5"							
6"							
8"							

FINISHING

Beam Type

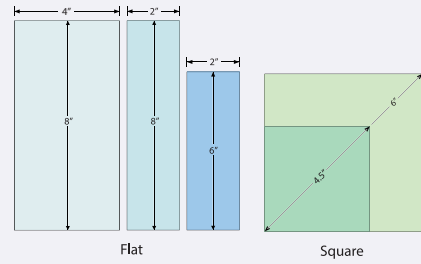
4.5" x 4.5" Beam

6" x 6" Beam

2" x 6" Beam

4" x 8" Beam

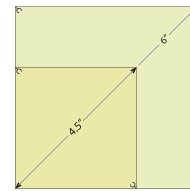
2" x 8" Beam



Post Type

4.5" Post

6" Post

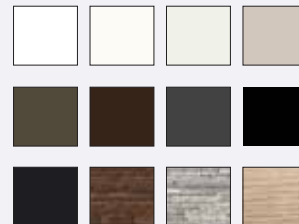


Frame Color

Color Name

Color Code

12 Standard Colors

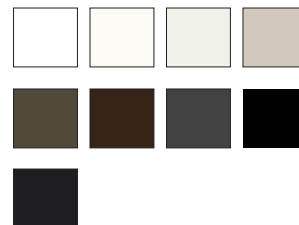


Slats Color

Color Name

Color Code

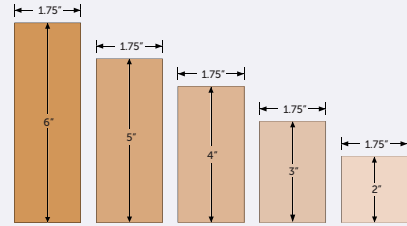
9 Standard Colors



FINISHING

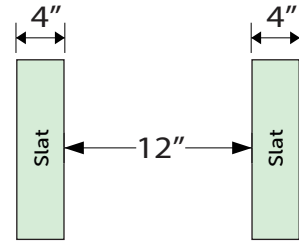
Slat Type

- 6" Slat 4" Slat 2" Slat
 5" Slat 3" Slat 1.75" Slat



Slat Spacing

- 12" Gap 8" Gap 4" Gap
 10" Gap 6" Gap 2" Gap

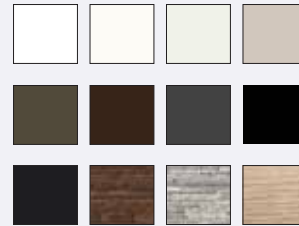


Slat Color

Color Name

Color Code

12 Standard Colors



Canopy (Optional)

- CANOPY (Not compatible with slats)
 Pergola Awning On Top (Compatible with Slats)
 Pergola Awning XL Inset (Not Compatible with Slats)
 None

