

# CONSTANT TENSION - SKYLIGHT



## C-Track Side Channel

- The C-Track side channel helps guide the fabric panel and eliminate light gaps.
- Standard 2.5" wide x 1.02" deep.



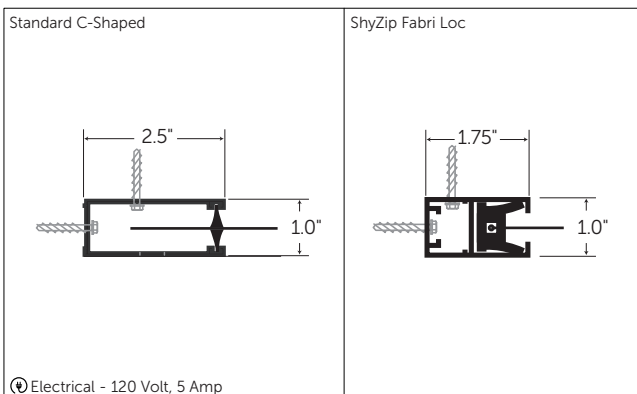
## Tensioned Shades

- High-quality zip tracks for the ultimate side retention.
- Side tracks are 1.38" wide x 1.9" deep.

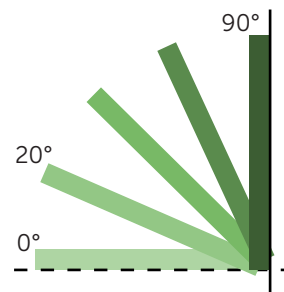


## Light Control

- Skylight shades help manage natural light, minimize glare, and can enhance comfort.



**Mounted Ideally 20° - 90°**  
If less than 20° unit must be > 20 sqft.



**2 Standard Colors**  
(Optional custom RAL Colors)

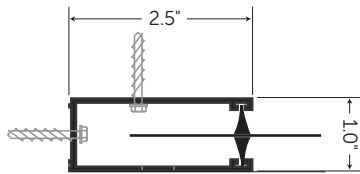


**Many Fabric Options**

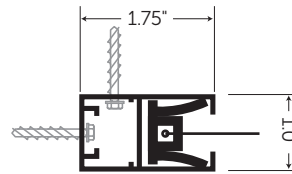


# CONSTANT TENSION - SKYLIGHT SPECIFICATIONS

## Frame Dimensions



Standard C-Shaped

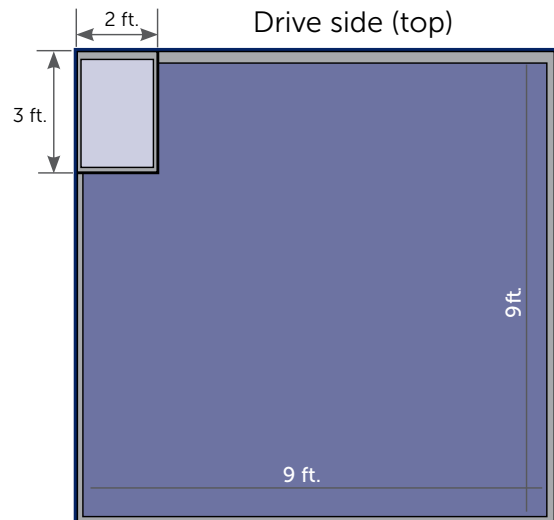


ShyZip FabricLoc

## System Parameters

- Minimum system size:  
2 ft. wide x 3 ft. long
- Maximum system size:  
9' wide x 9' long

\* Tensioned shade dimension limitations are a function of fabric selection and application angle. Please consult with The Denver Shading Company for details.

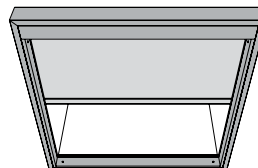


# FINISHING

## Frame Color

Color

Color Code



## Fabric Color

Color

Color Code

